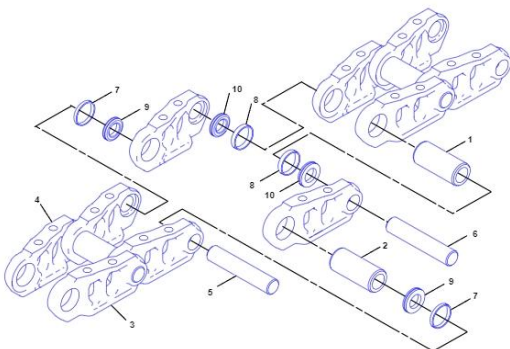
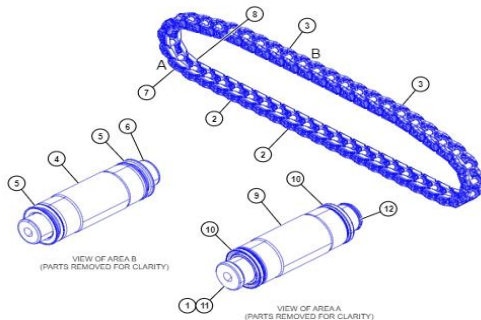


**Main specification parameter for Bulldozer Track chains**

Brand	Model	Product Name	Part Number	Number of Track Sections	Weight
Caterpillar	6015	Track chains	3537387	41	3154kg

**Compatible Equipment Models: 3537387**

<b>D11</b>	<b>D11T</b>
------------	-------------

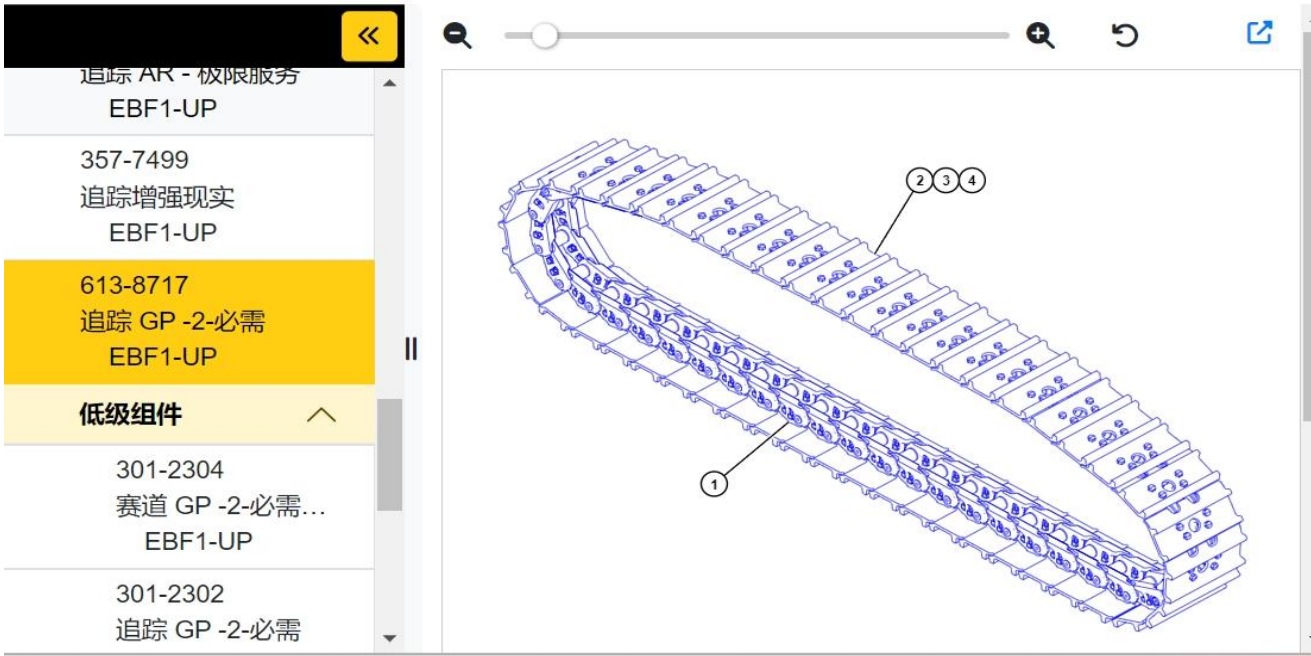

**Product Details**


Product Name	Track chains
Part Number	3537387
Track Pitch	318mm
Bolt size	36mm
Origin	United States
Model	D11
Quality Assurance	6-12 Month
Price	Negotiable
Brand Name	STONE
Packing Details	Standard Export Packing
Delivery Time	0-30 Days
Payment Term	L/C, T/T
Price Term	FOB, CIF, CFR
Supply Capacity	500 PCS/Month
Minimum Order Quantity	1 PC
Material	High Quality Steel
Technology	Precision Machining
Surface	Treatment Anti-Corrosion Coating
Quality	Original Factory Standard
After-Sales Service	Full Support, Online Service
Color	Standard Caterpillar Yellow or Customizable
Application	Bulldozer
Customizable	including customized materials, surface treatment and specifications

# Track chains

3537387

仪表盘 部分 维修 服务 故障排除 3D 模型



## STONE: Construction machinery parts expert in China



We are committed to providing a variety of parts including bulldozers, excavators and wheel loaders for well-known brands such as Carter and Komatsu. Our product line covers a full range of OEM parts, such as Track Chain, Track Rollers, Sprocket, Excavator Buckets, Blades, Excavator Cylinders, Swing Circles, and various electrical and hydraulic components to ensure that our customers' stringent requirements for quality and performance are met.



Stone (Shanghai) Engineering Machinery Co., Ltd. is a leading supplier of engineering machinery parts, focusing on providing high-quality parts for mining companies. Since its establishment in 2004, we have been based in Shanghai, China, and have built our own brand STONE, becoming a trusted choice in the industry.

Stone (Shanghai) Engineering Machinery Co., Ltd  
[sale@shmpine.com](mailto:sale@shmpine.com) [whatsapp:+8613671661119](https://www.whatsapp.com/+8613671661119)